

**POWER FOR THE WAVES**  
THE PURE MARINE CERTIFIED PRODUCT

**200W**  
MOSFET POWER  
50 W X 4

# HMR 10

DIGITAL MEDIA RECEIVER



SPECIFICATION	
DISPLAY	2.8" DOT Matrix display
PEAK POWER @ 4 Ω	4 x 50 W
FRONT PANEL IPX RATING	IP66
MULTI-ZONE	-
LINE OUT	2 x L + R (FRONT + REAR)
SUBWOOFER OUT	-
AUX INPUT	1 x L + R
EQUALIZER	3 PRESET
CAMERA IN	-
BATTERY VOLTAGE GAUGE	-
SOURCES	
TUNER	AM/FM
USB	Yes
IPOD/IPHONE	-
SIRIUSXM READY	-
NMEA 2000 READY	-
BLUETOOTH	
	2.1
	Audio streaming
	-
	-
SIZE & MOUNTING	
Unit Size mm (in.)	Diameter 113 (4.45) x D 96,5 (3.79)
Mounting Hole size mm (in.)	89,5 (3.52)
Mounting Depth mm (in.)	72 (2.83)
Mounting Method	U-Bracket



**IP66**



**UV RESISTANT**



**WATER JET RESISTANT**



**SALT FOG PROOF**



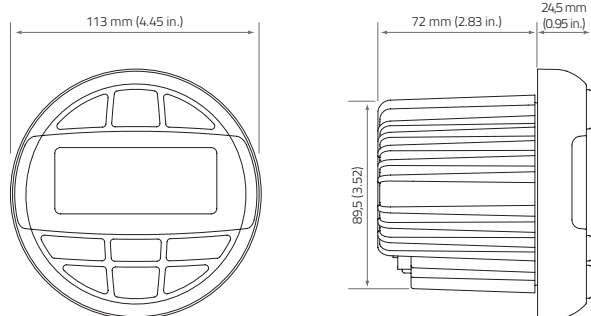
**DUST INTRUSION RESISTANT**

### PURE MARINE DESIGN

HMR 10 features IP66 protection grade, ASTM-D4329 standards for UV resistance and ASTM-B117 for salt fog operability, giving you unstopped pleasure season after season.

### PERFECT SOUND ONBOARD WITH GAUGE-STYLE INSTALLATION

With two pairs of high quality stereo outputs, a screen readable at all times and a generous marine-grade control panel, it will be a breeze to control your favorite playlist on USB or Bluetooth® streaming for maximum fun in water.



### KEY FEATURES

3

PRESET EQ

Customize the sound with 4 EQ preset created by Hertz audio engineer.

### CONNECTIVITY

USB  
2.0

AUX-IN

AM/FM  
RADIO



Bluetooth

